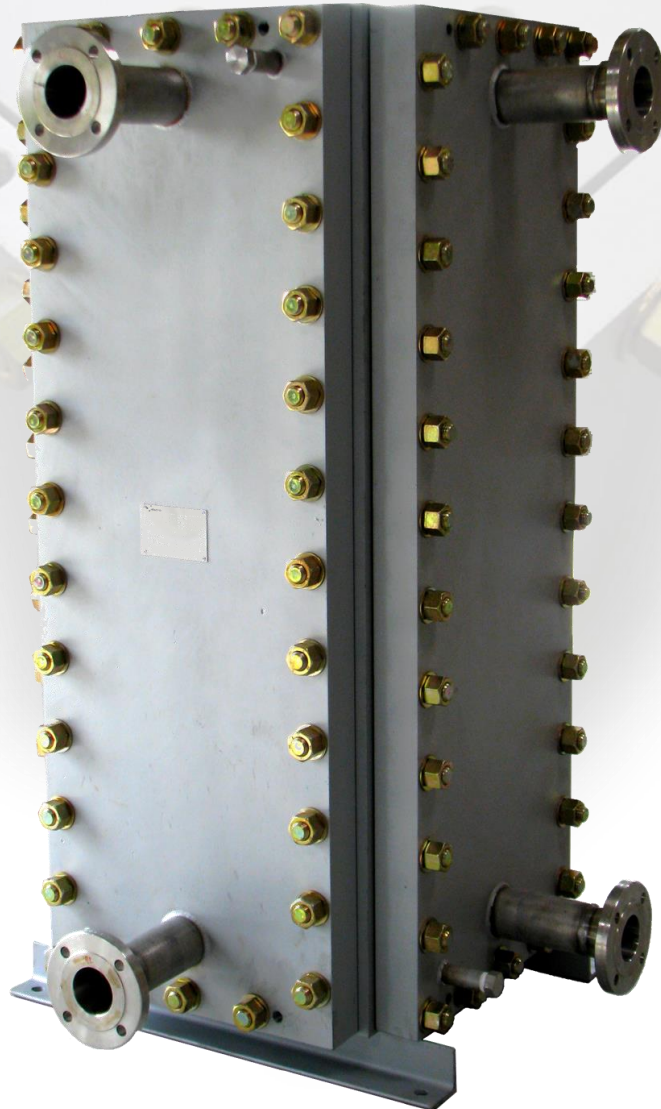




WeldPack[®]

Welded Plate Heat Exchangers



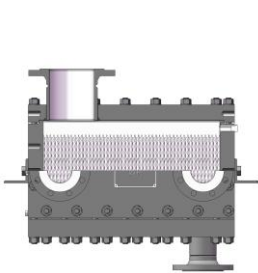
A Leading Supplier In Plate Heat Exchangers

WeldPack® Welded Plate Heat Exchangers

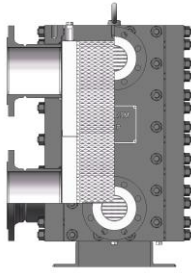
Vitherm WeldPack® welded plate heat exchanger is a compact solution to work in high operating pressures, and high or low operating temperatures.

Advantages of WeldPack® :

- no interplate gaskets
- accessible on both sides
- easier to access & easier to clean
- closer temperature approach possible
- compactness – very little space required
- lower capital cost
- low-maintenance
- fully welded by robot



Horizontal Unit

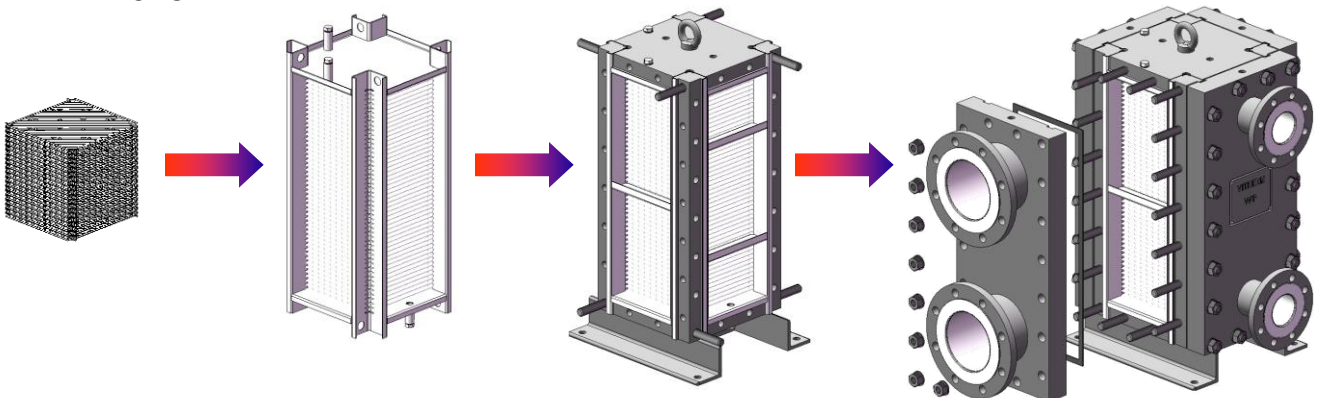


Vertical Unit

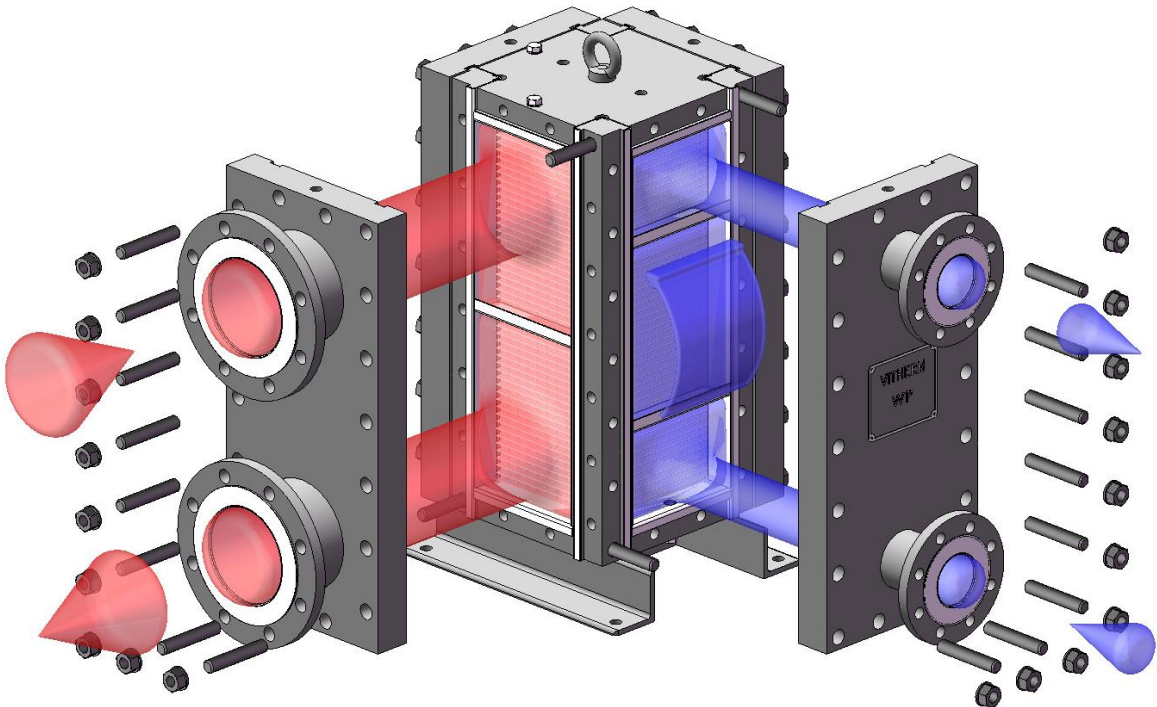
Available Materials:

Any alloy that can be pressed & welded

- SS316L (Standard)
- Titanium & Titanium + 0.2 Pd.
- Hastelloy® C-2000, C-276, C-22, B2
- Avesta 254 SMO, 904L
- Nickel
- Uranus B-6
- Incoloy / Inconel
- Monel
- Tantalum



The WeldPack® is available in several models, ranging from 2.4 sqm, up to 1,530 sqm of heat transfer area.



Design Pressure: Vacuum / 50 barg
Design Temperature: - 40 ° C / 400 °C

APPLICATIONS :

- liquid - liquid
- condenser with or without sub-cooling
- condenser with or without inert
- reboiler
- steam heater

INDUSTRY SECTORS :

- Oil & Gas Industry
- Vegetable Oil Industry
- Chemical/Petrochemical Industry
- Pharmaceutical Industry

OTHER PRODUCTS :



Flowpack®
Gasketed Plate Heat Exchangers

Port Size: From ¾" till 20"

Design Pressure: Vacuum / 20 - 25 barg

Design Temperature: -20 °C / 180 °C

Application:

- ✓ Marine Industry
- ✓ Chemical Industry
- ✓ HVAC Industry
- ✓ Oil & Gas Industry
- ✓ Food Industry

Contact us by mail: info@vitherm.com

Centralized contact numbers:

North America	+ 1 713 627 91 73 (USA)
Europe	+33 6 32 19 91 53 (France)
Asia Pacific :	+65 6324 0178 (Singapore)
South America :	+55 11 2768 4551 (Brazil)